

GD8 Fix-Through Slam Latch

Features

- Special design allows 'fix-through' mounting, to suit narrow door pillars, sections and channels
- Preferred over moulded models where there is possibility of impact loads or lateral stress
- Slam bolt retracts fully into case when operated
- Slotted bolt-pull provides 'lost-motion' so latches can always be slammed, even when a system is in 'locked' mode

Material

- Steel, bright zinc plated

Product Performance

- Spring pressure: 5 kg to full bolt withdrawal

Notes

- Fixing by rivets through 7 mm holes in case
- Use large headed fasteners to spread load over area



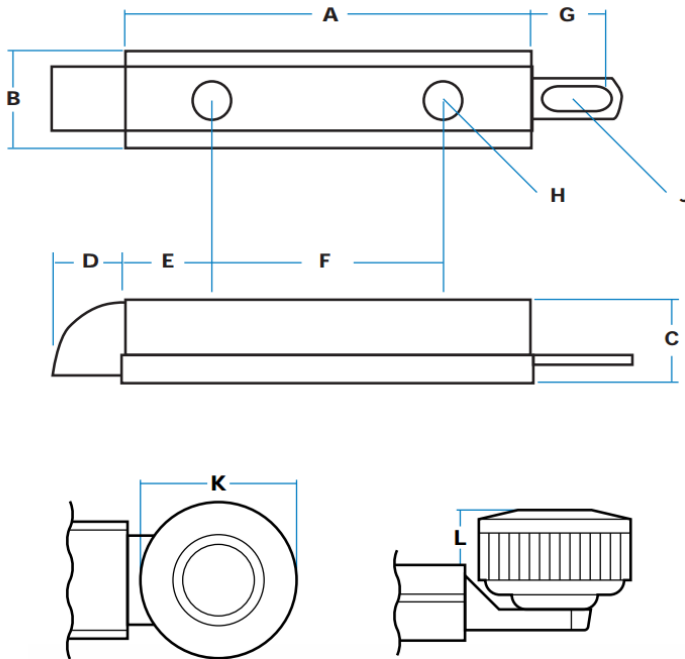
GD8-G01186
(Basic model)



GD8-G01728
(‘Nose-up’ model)



GD8-G01729
(‘Nose-down’ model)



Part No.	Type	A	B	C	D	E	F	G	H	J	K	L
GD8-G01186	Basic model, nose-down										-	-
GD8-G01729	Nose-down, with knob	80	25	20	13	20	43	23	7	6 x 20	38	20
GD8-G01728	Nose-up with knob											